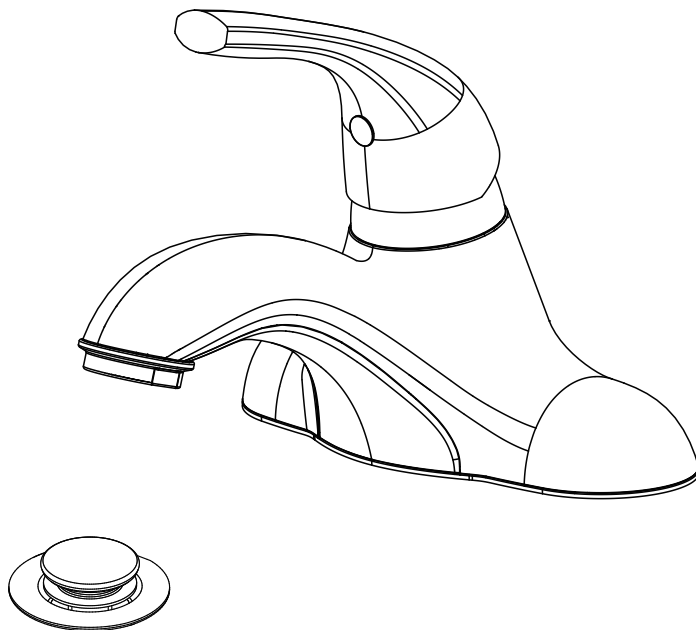


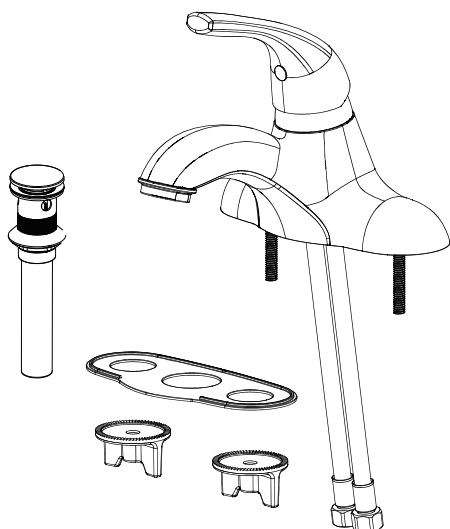
Installation Instructions



S331HLVG3

BEFORE INSTALLATION

Shut off water supply.
Check to make sure you have all parts indicated below:



NECESSARY TOOLS



Groove Joint Plier



Adjustable Wrench



Flat Screwdriver

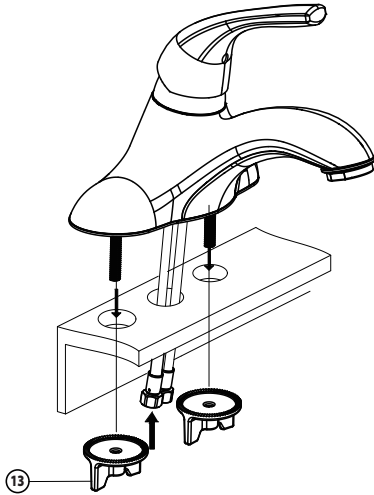


Thread Tape

SAFETY TIPS

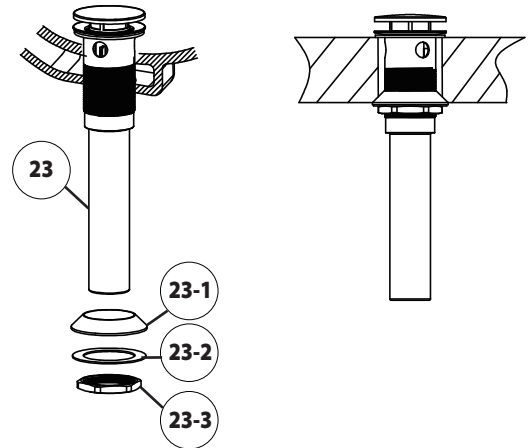
- If you use soldering for the installation of the faucet, the seats, cartridges and washers will have to be removed before using flame. Otherwise, warranty will be void on these parts
- Cover your drain to avoid losing parts
- When installing flexible hose, there should be no torsion or deformation; **DO NOT** fold into V or L shape; **DO NOT** use if there are any cracks or deformations.

1



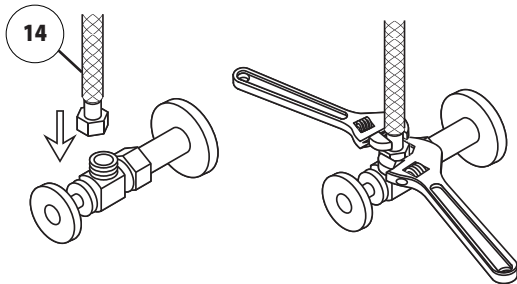
Install the faucet on the countertop.
Hand tighten the nut (13) under the countertop.

2



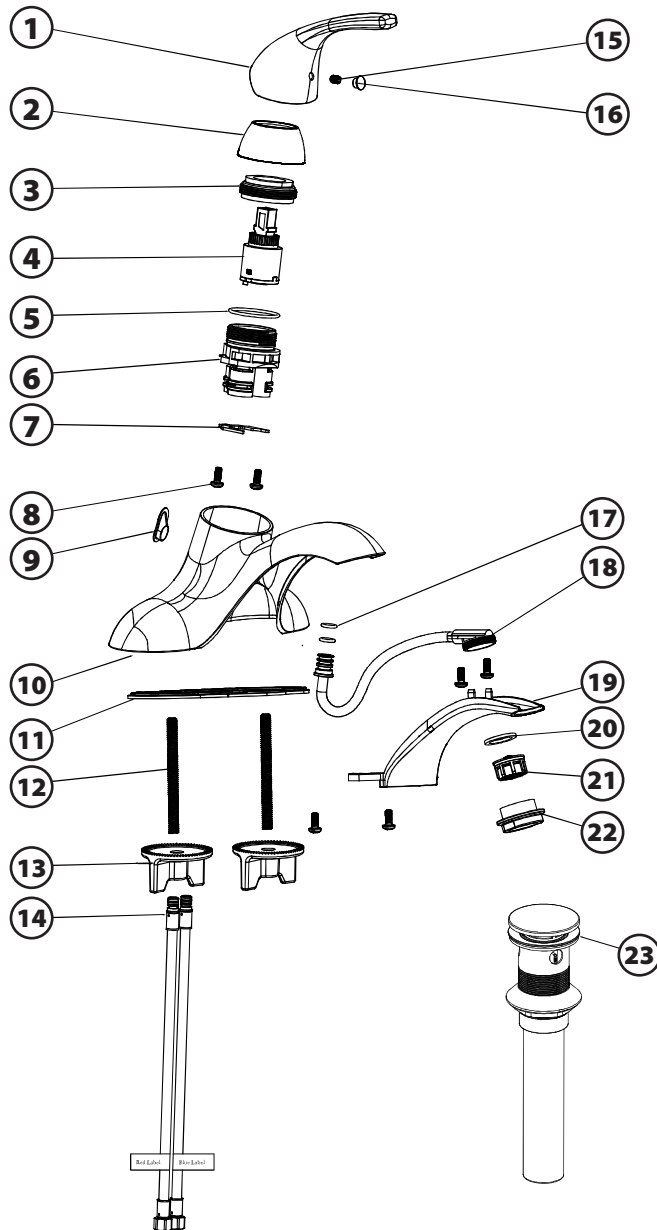
Insert the pop-up drain (23) brass body with the rubber washer onto the sink.
Assemble the rubber gasket (23-1), metal washer (23-2) and nut (23-3) onto the body, and hand tighten.

3



Connect inlet hose assembly (14) directly to the valve supplies. Use an adjustable wrench to tighten connections, do not overtighten.

NEED HELP? For customer service and warranty information please visit stream33.com



Part #	Replacement Part	Name
1	/	Handle
2	113111181000	Decorative Cap
3	113111181001	Nut
4	F25X48_4X02	Cartridge Assembly
5	R29_87X1_78X02	O-ring
6	113111191003	Cartridge Seat
7	113111191002	Pin
8	C4X10X08M	Screw
9	113110261045	Cap
10	113110681012	Body
11	113110681001	Base Plate
12	CO_24UNC20X3_15X01	Screw
13	999910091233	Nut
14	999910060494	Inlet Hose Assembly
15	CO_I9UNF32X0_25X01	Screw
16	999910101773	Red & Blue Cap
17	R6_8X1_78X02	O-ring
18	113111181003	Tube
19	113110681004	Deck Plate
20	D21X15X08	Washer
21	U20_88X12X03	Aerator Assembly
22	113111181005	Aerator Housing
23	113120020116	Pop-up Drain

NEED HELP? For customer service and warranty information please visit stream33.com



WARRANTY

Stream33 Products LLC (Stream33) warrants to the ORIGINAL CONSUMER PURCHASER that its Faucets shall be free from defects in material and workmanship under normal use and service FOR A LIMITED LIFETIME WARRANTY. This warranty cannot be transferred - it is extended only to the original Purchaser or First User of the Product. By accepting and keeping this Product you agree to all of the warranty terms and limitations of liability described below.

Stream33's obligations under the warranty set forth above shall be to replace any Stream33 Faucet which is defective.

WHAT IS NOT COVERED?

The warranty above does not cover and Stream33 is not liable for, (i) installation, (ii) any labor charges, (iii) use in any non-residential application, including business, commercial, and industrial usage, (iv) reasonable wear and tear or (v) products which have been damaged as a result of any accident, misuse, abuse, neglect, improper installation or maintenance, the use of steel wool, abrasive or organic solvent cleaners, modification, failure to use the Faucets in accordance with instructions provided by Stream33.

HOW TO OBTAIN WARRANTY SERVICE

Contact our warranty department at 740-314-1277 to report the defect. Return failed product with proof of purchase, your name, and address within 30 days of failure to:

Stream33 Products LLC
350 Courtney Road
Sebring, Ohio 44672 USA

LIMITATION OF LIABILITY

Stream33's liability on any claim of any kind, including, without limitation, warranty, negligence and/or breach of contract, shall in no case exceed the purchase price paid by the Customer. IN NO EVENT SHALL STREAM33 BE LIABLE FOR ANY SPECIAL, INCIDENTAL, CONSEQUENTIAL (INCLUDING, WITHOUT LIMITATION, DAMAGE TO PROPERTY) OR PUNITIVE DAMAGES, DAMAGES IN THE NATURE OF PENALTIES OR SIMILAR OR RELATED DAMAGES OF ANY KIND.

DISCLAIMER OF WARRANTIES

STREAM33 EXPRESSLY DISCLAIMS ALL WARRANTIES, EXCEPT AS EXPLICITLY STATED HEREIN, TO THE FULLEST EXTENT PERMITTED BY LAW, WHETHER WRITTEN, ORAL, EXPRESS OR IMPLIED, INCLUDING ANY WARRANTY OF PERFORMANCE, MERCHANTABILITY, FITNESS FOR A PARTICULAR PURPOSE, AND NONINFRINGEMENT. THIS DISCLAIMER INCLUDES ANY ORAL WARRANTIES OR REPRESENTATIONS MADE OR IMPLIED BY ANY AGENT, EMPLOYEE, SUBCONTRACTOR, MANAGER, DIRECTOR AND/OR REPRESENTATIVE OF STREAM33.